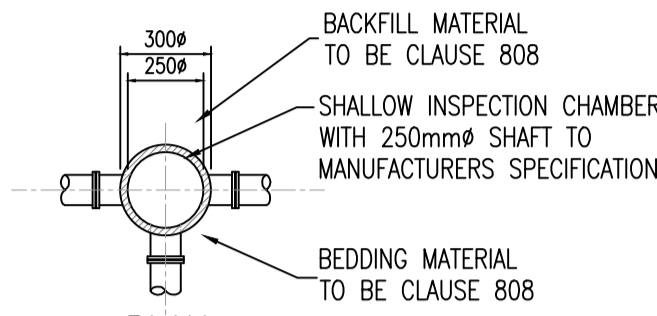
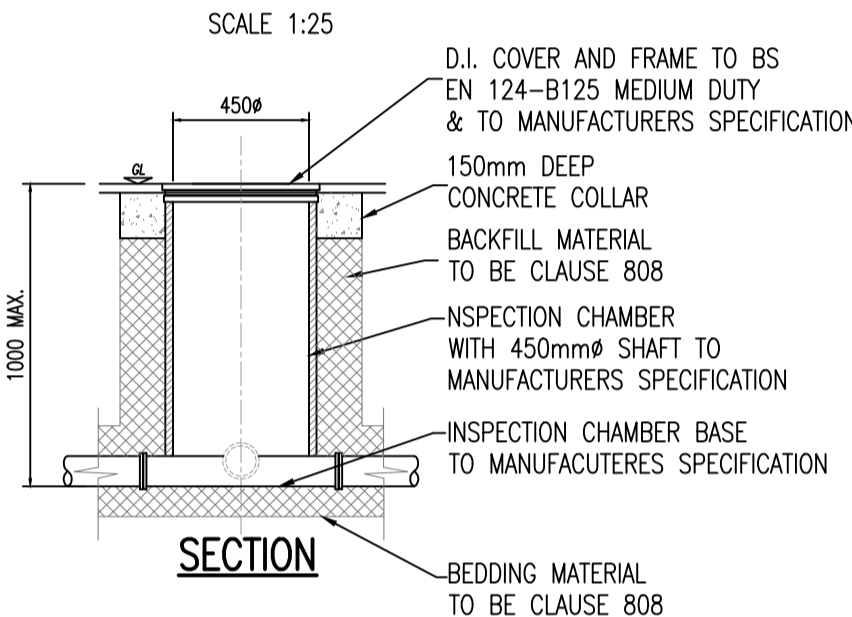


SECTION

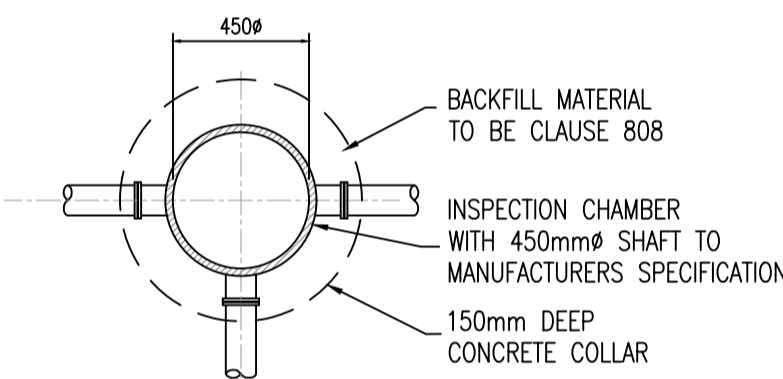


PLAN

**CIRCULAR INSPECTION CHAMBER WHERE INVERT IS 0.6m OR LESS**  
BUILDING REGULATIONS TGD SECTION H TABLE 9

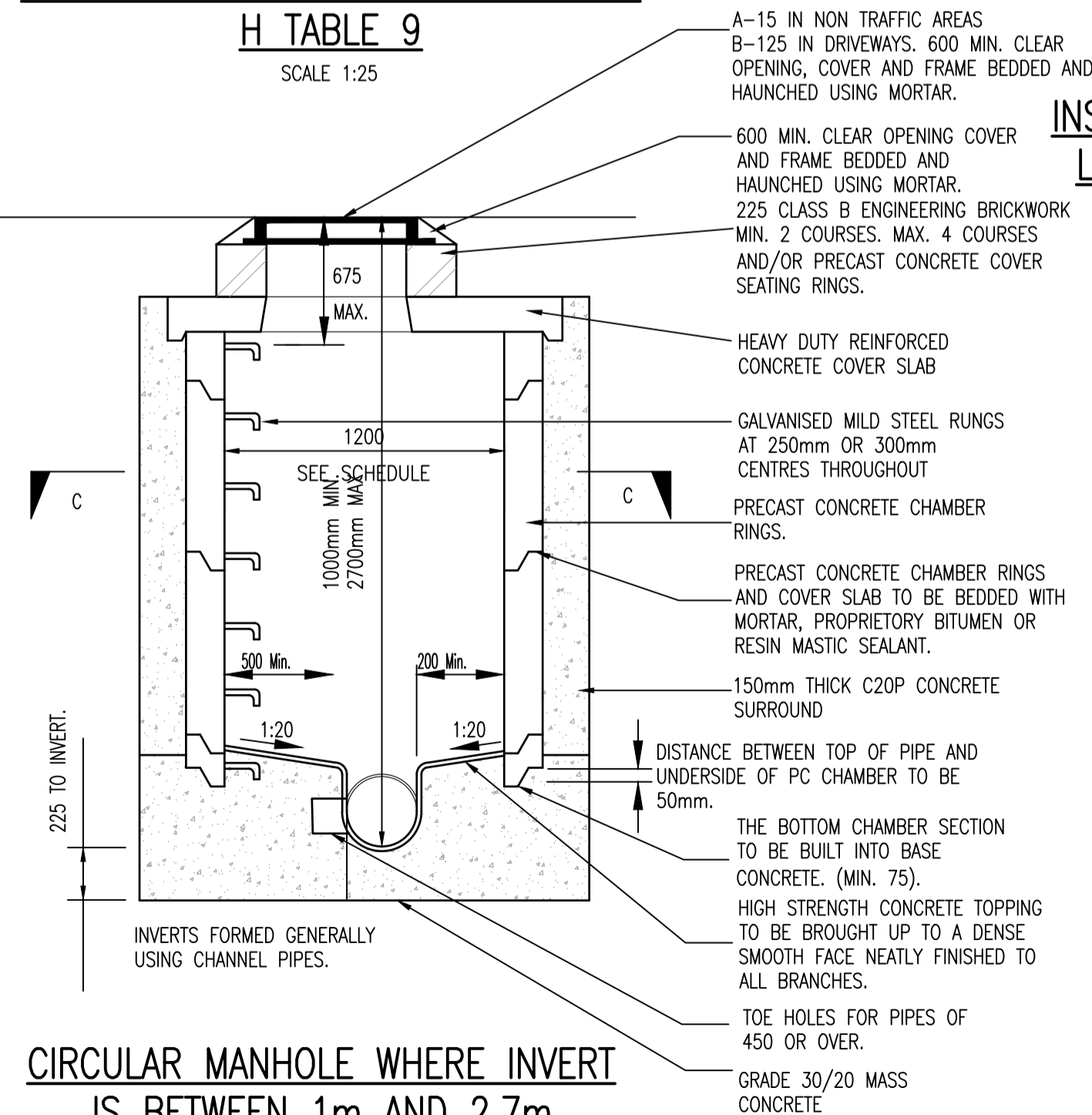


SECTION



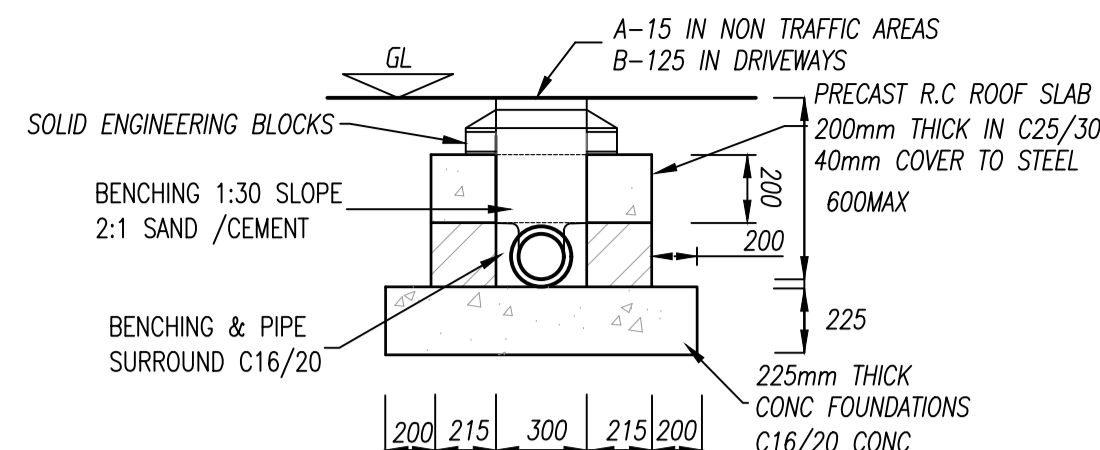
PLAN

**CIRCULAR INSPECTION CHAMBER WHERE INVERT IS 1m OR LESS**  
BUILDING REGULATIONS TGD SECTION H TABLE 9

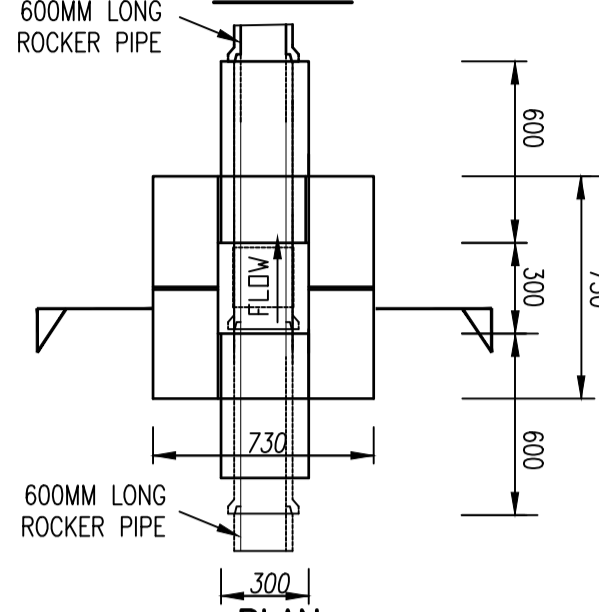


**CIRCULAR MANHOLE WHERE INVERT IS BETWEEN 1m AND 2.7m**  
BUILDING REGULATIONS TGD SECTION H TABLE 9

SCALE 1:25

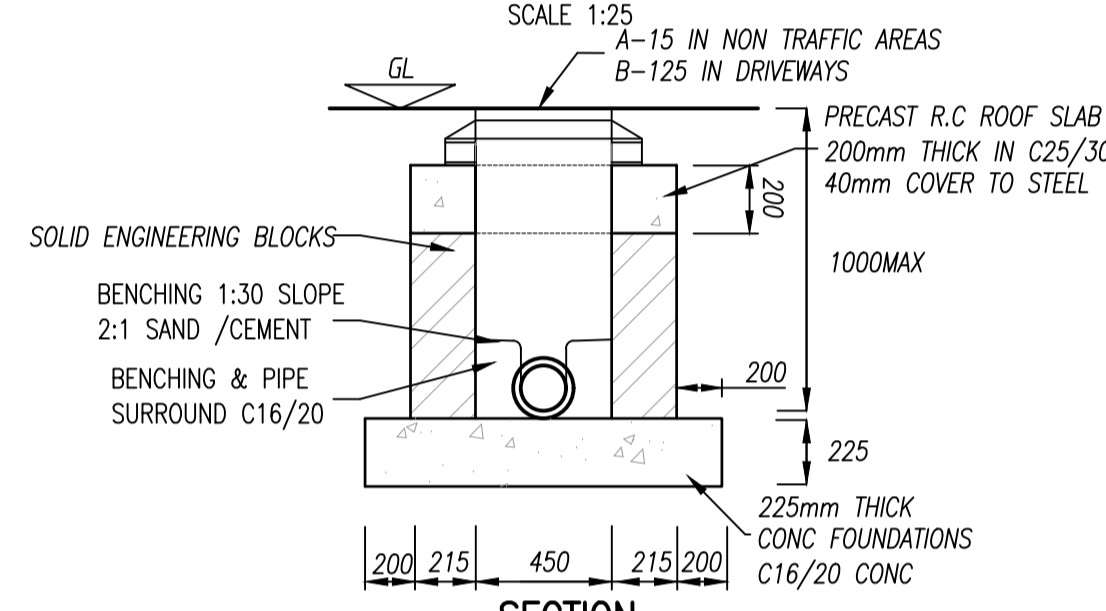


SECTION

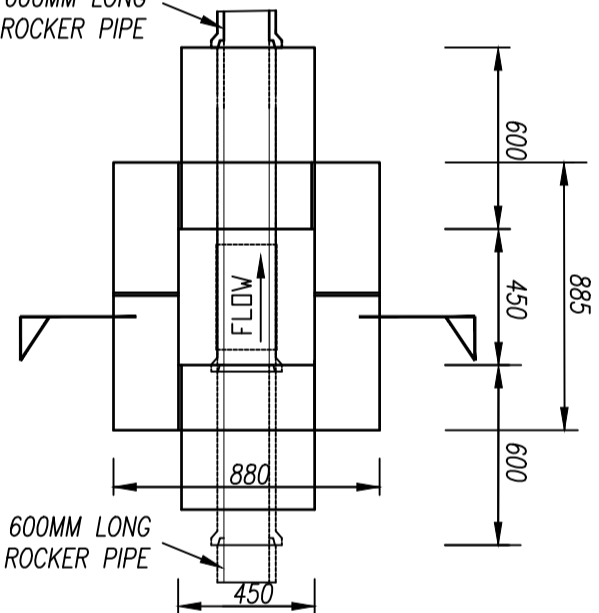


PLAN

**INSPECTION CHAMBER WHERE INVERT IS 0.6m OR LESS**  
BUILDING REGULATIONS TGD SECTION H TABLE 9

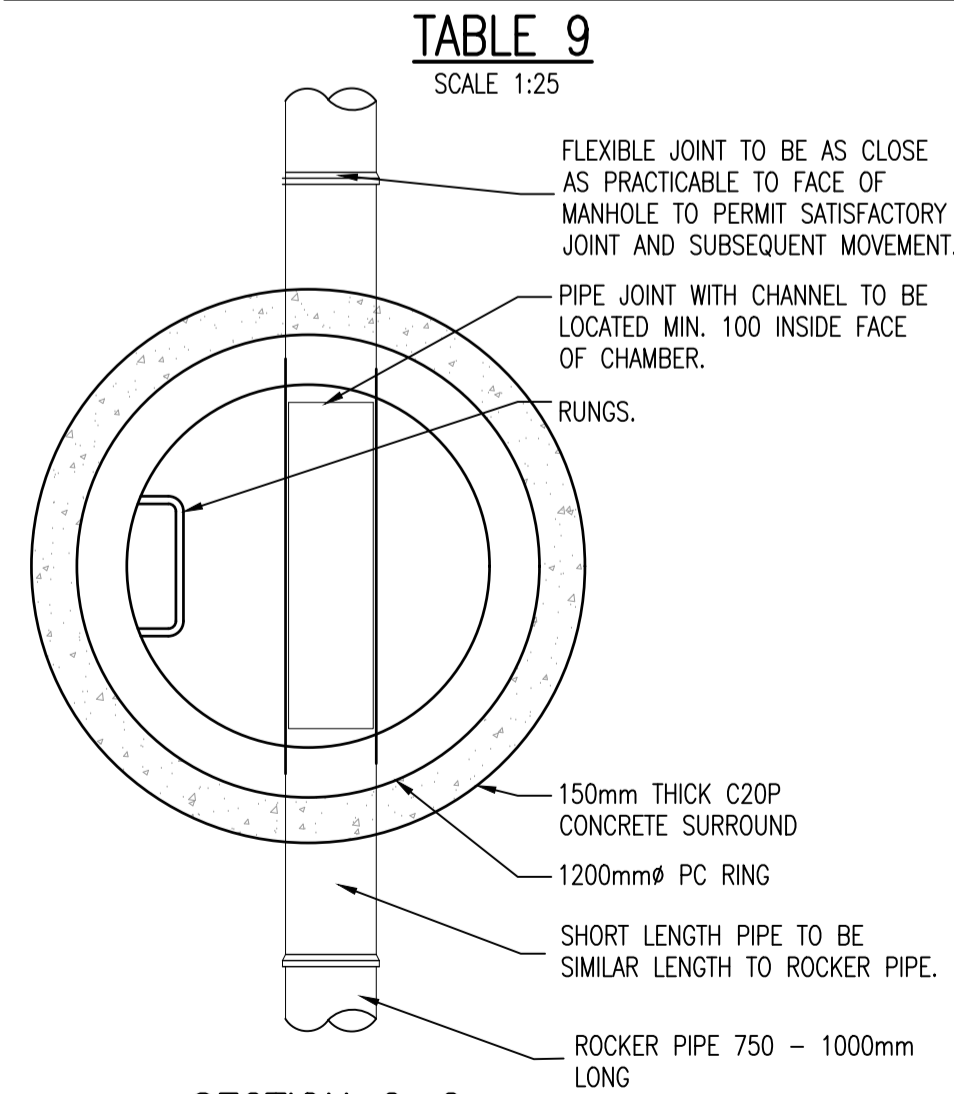


SECTION



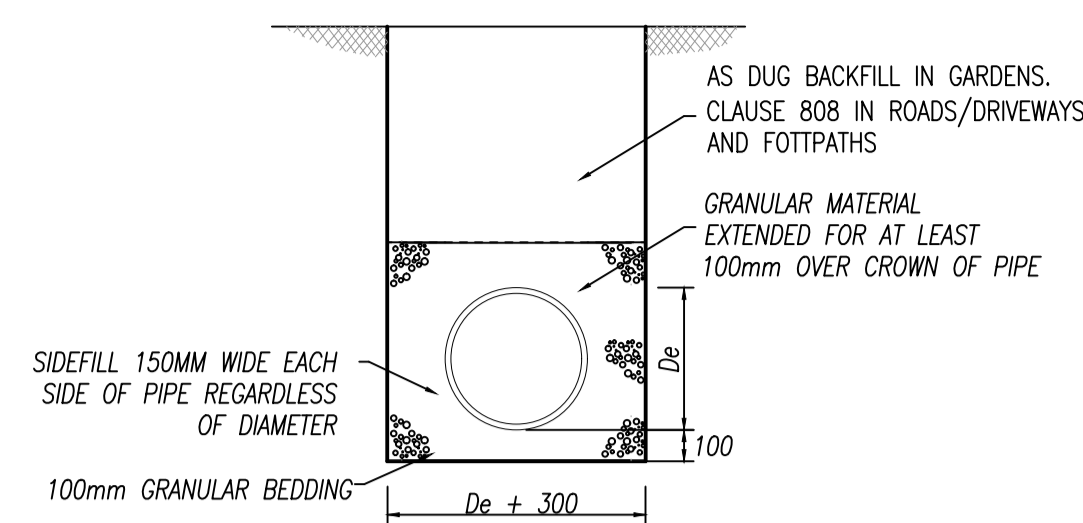
PLAN

**INSPECTION CHAMBER WHERE INVERT IS 1m OR LESS**  
BUILDING REGULATIONS TGD SECTION H TABLE 9



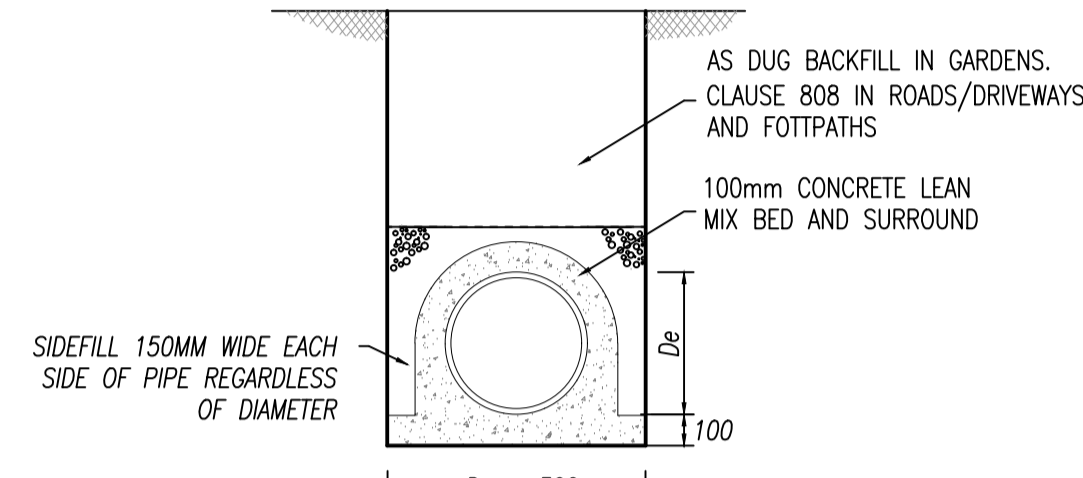
SECTION C-C

SCALE 1:25



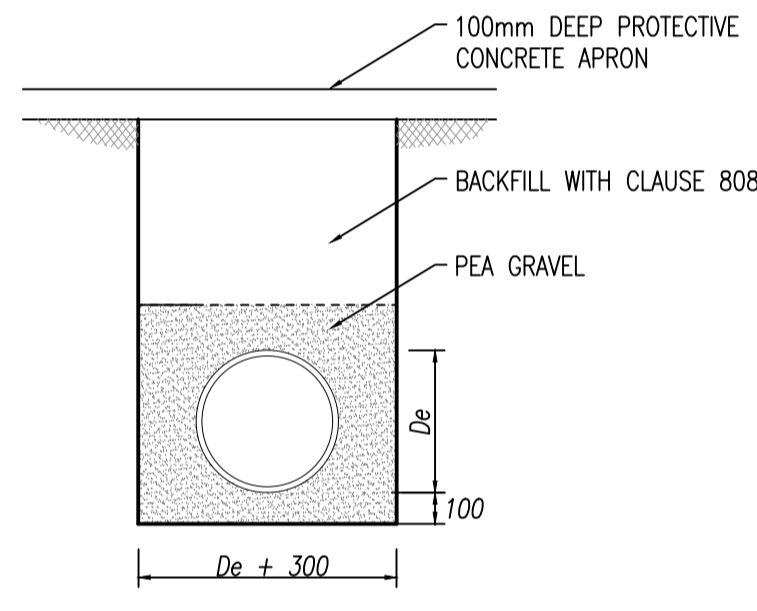
**PIPES BEDDED IN GRANULAR MATERIAL**  
COVER > 0.9m IN ROADS  
COVER > 0.6m IN GARDENS

SCALE 1:25



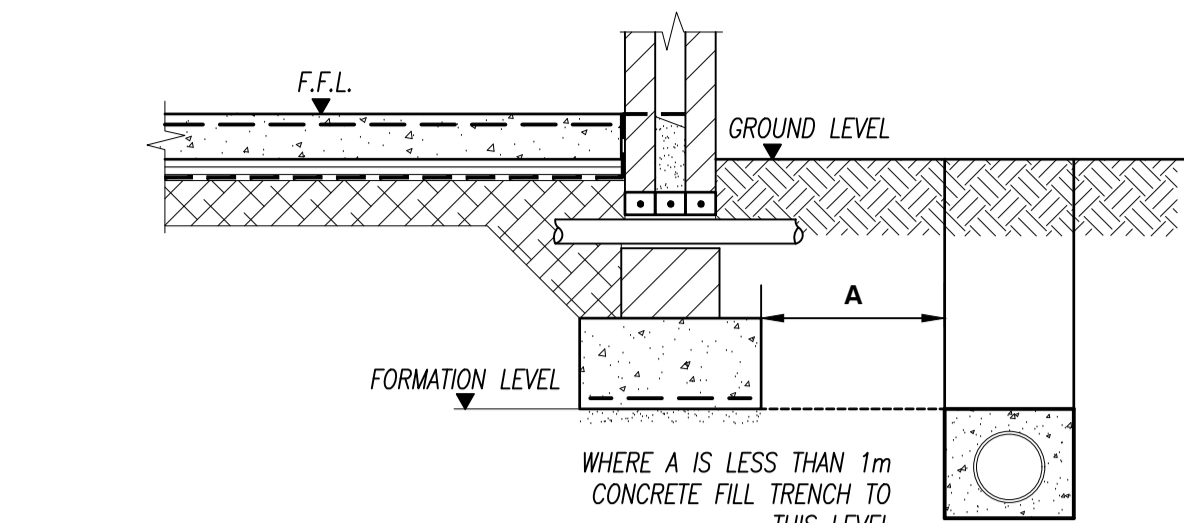
**PIPES BEDDED IN CONCRETE**  
COVER < 0.9m IN ROADS  
COVER < 0.6m IN GARDENS

SCALE 1:25



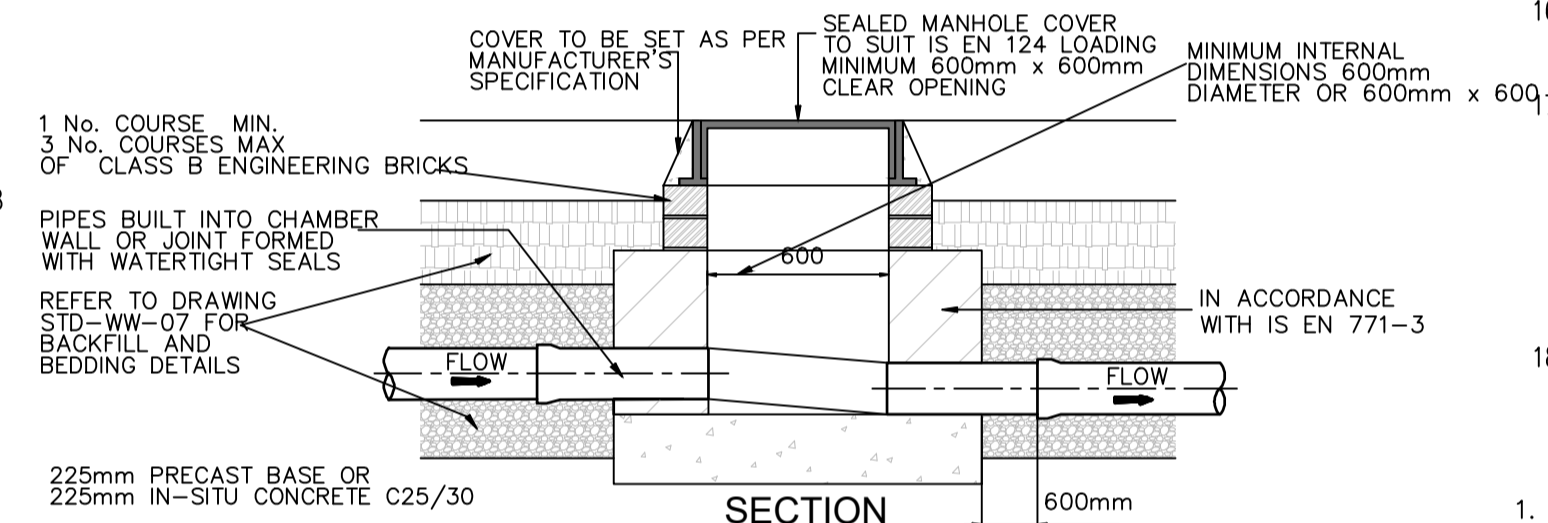
**PIPES BEDDING ALTERNATIVE DETAIL**  
COVER < 0.9m IN ROADS  
COVER < 0.6m IN GARDENS

SCALE 1:25

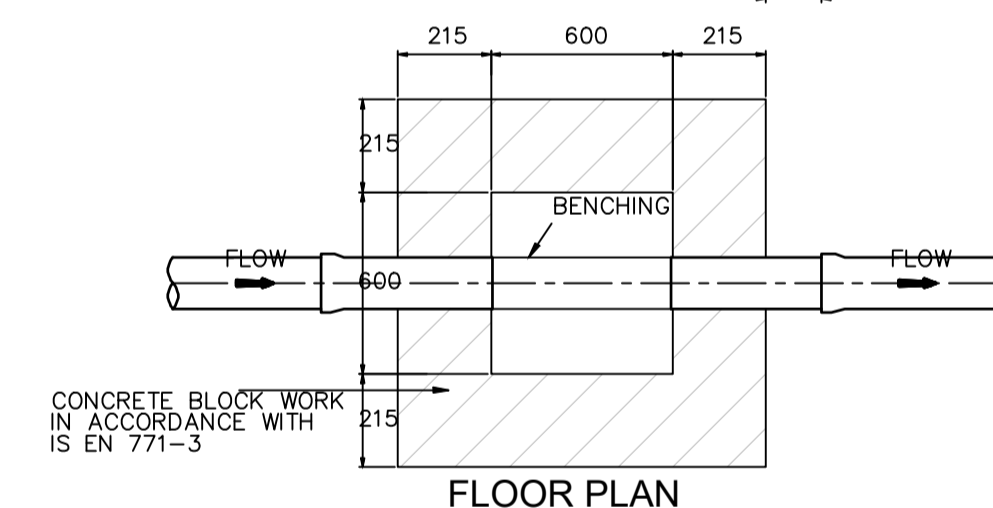


**TYPICAL DETAIL WHERE PIPE RUNS NEAR BUILDINGS**

SCALE 1:25



SECTION



FLOOR PLAN

**FOUL WATER INSPECTION CHAMBER FOR LAST PRIVATE MANHOLE (BLOCK WORK CONSTRUCTION)**

N.T.S.  
(SHOULD BE LOCATED WITHIN 1M OF PRIVATE/PUBLIC BOUNDARY, IF PRACTICAL)

NOTES:

- DO NOT SCALE. USE FIGURED DIMENSIONS ONLY.
- THIS DRAWING IS TO BE READ IN CONJUNCTION WITH ALL OTHER RELEVANT ARCHITECTURAL AND ENGINEERING DRAWINGS.
- TYPE A GRANULAR FILL SHALL CONSIST OF WASHED PEA GRAVEL. ALL MATERIAL SHALL PASS A 19mm B.S. SIEVE TEST AND SHALL BE RETAINED BY A 4.75mm B.S. SIEVE TEST.
- SELECTED FILL SHALL BE FREE FROM STONES GREATER THAN 25mm IN SIZE, BUILDERS RUBBLE VEGETABLE MATTER AND LUMPS OF CLAY GREATER THAN 75mm IN SIZE AND SHALL BE COMPACTED IN 150mm LAYERS.
- IN OPEN SPACES BACKFILL SHALL CONSIST OF SUITABLE SELECTED EXCAVATED MATERIAL UNDER PAVED AREAS BACKFILL SHALL CONSIST OF SUITABLE APPROVED GRANULAR FILL. GENERAL BACKFILL SHALL BE COMPACTED IN LAYERS NOT EXCEEDING 300mm THICK.
- CONCRETE BED AND SURROUND SHALL BE USED ON ALL PIPES WHERE COVER TO THE SOFT OF THE PIPE IS LESS THAN 1.2m IN ROADS, FOOTPATHS AND GRASS MARGINS AND 0.9m IN OPEN SPACES AND FIELDS.
- ALL CONCRETE FOR PIPE BEDDING, HAUNCHING AND SURROUNDS SHALL BE GRADE 20N/20.
- ALL MANHOLES SHALL BE WATERTIGHT TO THE SATISFACTION OF THE ENGINEER.
- FORMWORK TO REINFORCED CONCRETE AND MASS CONCRETE SHALL BE CLASS F2.
- CLASS U2 FINISH TO THE TOP OF SLABS. REINFORCEMENT TO SLABS TO ENGINEERS DETAILS.
- 200mm THICK CL. 30/20 MASS CONCRETE FOUNDATIONS. 225mm THICK PRECAST R.C. ROOF SLAB IN CL. 30/20 CONCRETE. COVER TO STEEL TO BE 40mm.
- TOE HOLES TO BE PROVIDED IN BENCHING OF SEWERS GREATER THAN 450mm DIAMETER FOR ACCESS TO INVERT. SAFETY CHAIN ON SEWERS 600mm. DIAM. OR GREATER MILD STEEL SAFETY CHAIN SHALL BE 10MM. NOMINAL SIZE GRADE (M/H) NON CALIBRATED CHAIN, TYPE 1, COMPLYING WITH BS4942 PART 2.
- WHEN DEPTH OF MANHOLES TO INVERT IS GREATER THAN 3.5m, LADDERS SHALL BE USED INSTEAD OF RUNGS. FIXED LADDERS SHOULD MEET THE DIMENSIONAL REQUIREMENTS OF BS4211 EXCEPT THAT STRINGERS SHOULD NOT BE LESS THAN 65 X 20mm IN SECTION AND RUNGS 25mm IN DIAMETER.
- LADDER STRINGERS SHOULD BE ADEQUATELY SUPPORTED FROM THE MANHOLE WALL AT INTERVALS OF NOT MORE THAN 3.0m STRINGERS SHOULD BE BOLTED TO CLEATS TO FACILITATE RENEWAL.
- ALL LADDERS, RUNGS, HANDRAILS, SAFETY CHAIN, ETC. SHALL BE HOT DIPPED GALVANISED TO BS729.
- ALL WORKS TO BE CARRIED OUT IN ACCORDANCE WITH THE REQUIREMENTS OF FINAGL COUNTY COUNCIL
- ACCESS JUNCTIONS TO BE USED AT DEPTHS OF 600mm OR LESS. INSPECTION CHAMBERS TO BE USED BETWEEN DEPTHS OF 600mm AND 1m. ALL WORKS IN ACCORDANCE WITH THE BUILDING REGULATIONS TECHNICAL GUIDANCE DOCUMENT - CURRENT VERSION. MIN COVER REQUIREMENTS IN ACCORDANCE WITH THE BUILDING REGULATIONS TGD SECTION H. REFER TO TABLES 8 AND 9 FOR COVER AND ACCESS CHAMBER REQUIREMENTS.
- ALL MANHOLE AND CHAMBER COVERS IN TRAFFICKED AREAS INCLUDING CARPARKS, TO BE TRAFFICABLE.

- ALL DIMENSIONS ARE IN MILLIMETRES (mm) UNLESS NOTED OTHERWISE.
- AN INSPECTION CHAMBER SHOULD BE LOCATED AT OR WITHIN 1m OF THE PROPERTY BOUNDARY AT THE UPSTREAM END OF EACH SERVICE CONNECTION ON THE PRIVATE SIDE OF THE CURTILAGE, IF PRACTICAL.
- ANY PIPE AND ASSOCIATED ACCESS UPSTREAM OF THE POINT OF CONNECTION TO A PUBLIC SEWER IS A PRIVATE DRAIN AND SHOULD BE CONSTRUCTED IN ACCORDANCE WITH THE BUILDING REGULATIONS.
- ACCESS POINTS SHOULD BE LOCATED SO THAT THEY ARE ACCESSIBLE AND APPARENT TO THE MAINTAINER AT ALL TIMES FOR USE. THEY SHOULD NEVER BE OVERLAIN WITH SURFACE DRESSING, TOPSOIL, LADDERS AND FRAMES SHALL BE SUITABLE FOR ROAD AND TRAFFIC CONDITIONS SUBJECT TO APPROVAL FROM IRISH WATER.
- 200mm ALL AROUND, 100mm DEEP CONCRETE PLINTH WITH PROTECTIVE STAINLESS STEEL METAL BAND AROUND COVERS IN GREEN AREAS.
- PROPRIETARY PREFABRICATED CHAMBER UNITS MAY ALSO BE USED SUBJECT TO APPROVAL FROM IRISH WATER.
- CONCRETE CHAMBERS SHALL BE SURROUNDED BY A MINIMUM OF COMPACTED CLAUSE 804 MATERIAL AS PER STD-WW-07.
- ALL CHAMBERS TO BE CHECKED FOR UPLIFT BY THE DEVELOPER ON GROUND CONDITIONS WITHIN THE SITE. SHOULD ANTI-FLOATATION MEASURES BE REQUIRED THEY SHALL BE SUBJECT TO APPROVAL FROM IRISH WATER.

REV.	DATE	AMENDMENT	DRN	APPD

STATUS: **FOR PLANNING ONLY**  
**NOT FOR CONSTRUCTION**

**Waterman Moylan**  
Engineering Consultants

BLOCK 6, EASTPOINT BUSINESS PARK, ALFIE BYRNE ROAD,  
DUBLIN D03 H3F4  
Tel: (01) 664 8900 Fax: (01) 661 3618  
Email: info@waterman-moylan.ie www.waterman-moylan.ie

CLIENT	GERARD GANNON PROPERTIES
ARCHITECT	CONNOLLY ARCHITECTS
PROJECT	LANDS AT KILNAHUE & GOREY HILL, GOREY
TITLE	TYPICAL PRIVATE DRAINAGE CONSTRUCTION DETAILS

DRAWN	DESIGNED	APPROVED	DATE
PJD	DA	MD	MARCH 2022
SCALE	JOB NO.	DRG. NO.	REVISION
1:20 @ A1	13-119	P4213	

